

RO*855/865

RO*855

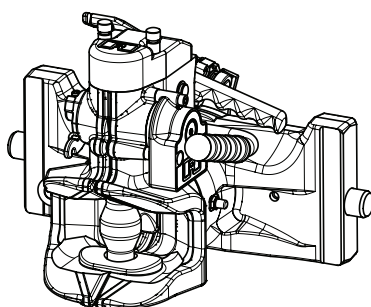
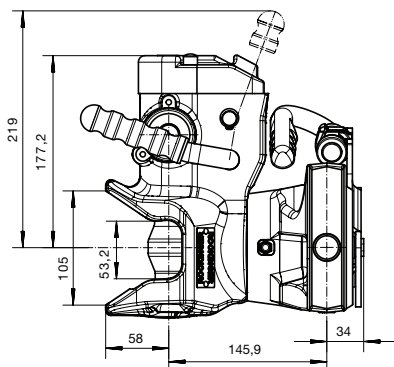
Technical Specifications

- Automatic towing hitch with lift bearing
- **Cylindrical coupling pin:** \varnothing 30,6 mm
- Ready for mechanical remote control
- Equipped for safety sensor
- all hitches are ABG and EG homologated

Order No.	Order No. incl. safety sensor	Track width (Sw) (mm)	S (t)	D (kN)
855 D1030C	855 D10DOC	310	2,0	120,0
855 D1230C ¹	855 D12DOC ¹	312	2,0	84,3
855 D2330C	855 D23DOC	323	2,0	120,0
855 D3030C	855 D30DOC	330	2,0	120,0
855 D3630C	855 D36DOC	336	2,0	120,0
855 D9030C ¹	855 D90DOC ¹	390	2,0	120,0
855 F3030 ^{1,2}	855 F30D01 ²	330	2,0	120,0
855 F1530C ²	855 F15DOC ²	315	2,0	120,0

¹ in preparation

² For CBM original drawbar bracket



RO*865

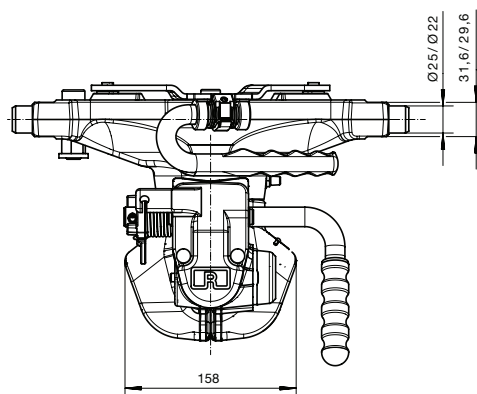
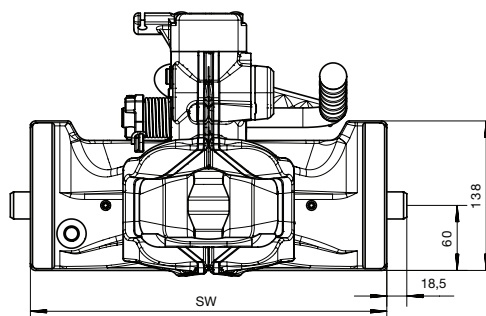
Technical Specifications

- Automatic towing hitch with lift bearing
- **Ball-shaped coupling pin:** \varnothing 38 mm
- Ready for mechanical remote control
- Equipped for safety sensor
- all hitches are ABG and EG homologated

Artikel-Nr.	Order No. incl. safety sensor	Track width (Sw) (mm)	S (t)	D (kN)
865 D1030C	865 D10DOC	310	2,0	120,0
865 D1230C ¹	865 D12DOC ¹	312	2,0	84,3
865 D2330C	865 D23DOC	323	2,0	120,0
865 D3030C	865 D30DOC	330	2,0	120,0
865 D3630C	865 D36DOC	336	2,0	120,0
865 D9030C ¹	865 D90DOC ¹	390	2,0	120,0
865 F3030 ^{1,2}	865 F30D01 ²	330	2,0	120,0
865 F1530C ²	865 F15DOC ²	315	2,0	120,0

¹ in preparation

² For CBM original drawbar bracket



Safety sensor exclusively for RO855/RO865

Complete retrofit kit

Order No: ROE75L160 consists of

1. Safety sensor
2. Display
3. Impact protection and mounting parts

