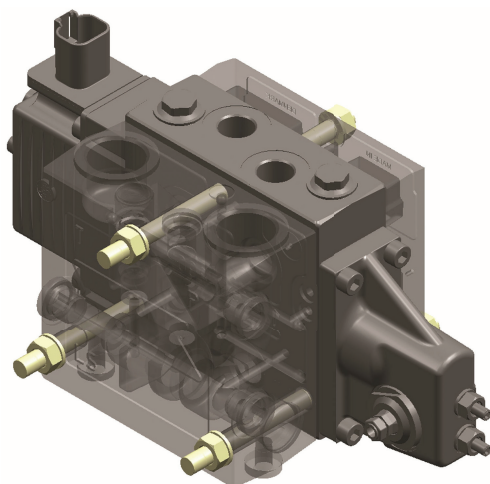


Technical Information PVG 16 Proportional Valve Group

PVAS

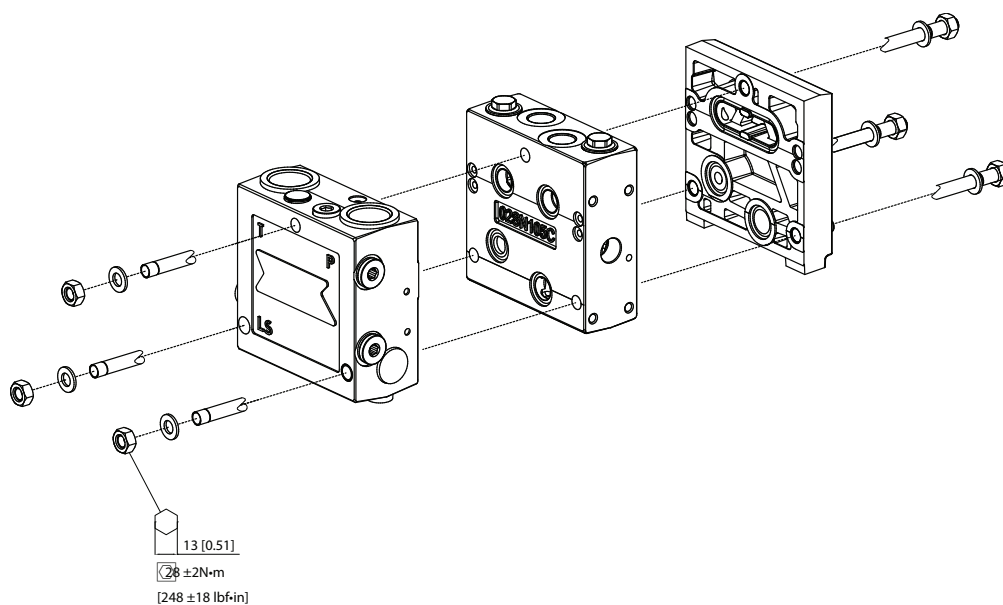
PVAS design

The PVAS consists of three tie rods, six washers and six nuts. The tie rods are inserted through the entire length of the PVG valve stack. The nuts are tightened at the pump side and the end plate.



For certain combinations with PVG 100/16, PVG 120/16 and some PVS 32 the tie rod are thread-mounted into the interface.

Technical characteristics for PVAS



Module selection guide

Module width according to module type

Module type	Module width
PVB 32 / PVP / PVSK	48 mm [1.89 in]
PVB 16	40 mm [1.57 in]
PVS	23 mm [0.91 in]

Technical Information PVG 16 Proportional Valve Group
PVAS
PVAS code numbers according to accumulated module width interval

Accumulated module width interval				PVAS code No.
mm		inch		
Min	Max	Min	Max	
48	72	1.89	2.83	157B8000
73	96	2.87	3.78	157B8031
97	120	3.82	4.72	157B8001
121	144	4.76	5.67	157B8021
145	168	5.71	6.61	157B8002
169	192	6.65	7.56	157B8022
193	216	7.60	8.50	157B8003
217	240	8.54	9.45	157B8023
241	264	9.49	10.39	157B8004
265	288	10.43	11.34	157B8024
289	312	11.38	12.28	157B8005
313	336	12.32	13.23	157B8025
337	360	13.27	14.17	157B8006
361	384	14.21	15.12	157B8026
385	408	15.16	16.06	157B8007
409	432	16.10	17.01	157B8027
433	456	17.05	17.95	157B8008
457	480	17.99	18.90	157B8028
481	504	18.94	19.84	157B8009
505	528	19.88	20.79	157B8029
529	552	20.83	21.73	157B8010
553	576	21.77	22.68	157B8030
577	600	22.72	23.62	157B8061
601	624	23.66	24.57	157B8081
625	648	24.61	25.51	157B8062
649	672	25.55	26.46	157B8082

PVG 100 and PVG 120 have their own tie rod portfolio and is not included in the table above.

PVG 32/PVG 16 configuration, PVAS standard

No. of PVB 32 modules (down)	No. of PVB 16 modules								
	0	1	2	3	4	5	6	7	8
0	157B8000	157B8001	157B8002	157B8022	157B8023	157B8024	157B8005	157B8006	157B8007
1	157B8001	157B8002	157B8003	157B8023	157B8024	157B8025	157B8006	157B8007	157B8008
2	157B8002	157B8003	157B8004	157B8024	157B8025	157B8026	157B8007	157B8008	157B8009
3	157B8003	157B8004	157B8005	157B8025	157B8026	157B8027	157B8008	157B8009	157B8010
4	157B8004	157B8005	157B8006	157B8026	157B8027	157B8028	157B8009	157B8010	157B8061
5	157B8005	157B8006	157B8007	157B8027	157B8028	157B8029	157B8010	157B8061	157B8062

Technical Information PVG 16 Proportional Valve Group
PVAS
PVG 32/PVG 16 configuration, PVAS standard (continued)

No. of PVB 32 modules (down)	No. of PVB 16 modules								
	0	1	2	3	4	5	6	7	8
6	157B8006	157B8007	157B8008	157B8028	157B8029	157B8030	157B8061	157B8062	-
7	157B8007	157B8008	157B8009	157B8029	157B8030	157B8081	157B8062	-	-
8	157B8008	157B8009	157B8010	157B8030	157B8081	157B8082	-	-	-
9	157B8009	157B8010	157B8061	157B8081	157B8082	-	-	-	-
10	157B8010	157B8061	157B8062	157B8082	-	-	-	-	-
11	157B8061	157B8062	-	-	-	-	-	-	-
12	157B8062	-	-	-	-	-	-	-	-

PVG 32/PVG 16 configuration, PVAS standard (continued)

No. of PVB 32 modules (down)	No. of PVB 16 modules							
	9	10	11	12	13	14	15	
0	157B8027	157B8028	157B8029	157B8010	157B8061	157B8062	157B8082	
1	157B8028	157B8029	157B8030	157B8061	157B8062	-	-	
2	157B8029	157B8030	157B8081	157B8062	-	-	-	
3	157B8030	157B8081	157B8082	-	-	-	-	
4	157B8081	157B8082	-	-	-	-	-	
5	157B8082	-	-	-	-	-	-	

PVG 32/PVG 16 configuration, PVAS mid-inlet

No. of PVB 32 modules	No. of PVB 16 modules							
	0	1	2	3	4	5	6	7
0	157B8031	157B8021	157B8022	157B8003	157B8004	157B8005	157B8025	157B8026
1	157B8021	157B8022	157B8023	157B8004	157B8005	157B8006	157B8026	157B8027
2	157B8022	157B8023	157B8024	157B8005	157B8006	157B8007	157B8027	157B8028
3	157B8023	157B8024	157B8025	157B8006	157B8007	157B8008	157B8028	157B8029
4	157B8024	157B8025	157B8026	157B8007	157B8008	157B8009	157B8029	157B8030
5	157B8025	157B8026	157B8027	157B8008	157B8009	157B8010	157B8030	157B8081
6	157B8026	157B8027	157B8028	157B8009	157B8010	157B8061	157B8081	157B8082
7	157B8027	157B8028	157B8029	157B8010	157B8061	157B8062	157B8082	-
8	157B8028	157B8029	157B8030	157B8061	157B8062	-	-	-
9	157B8029	157B8030	157B8081	157B8062	-	-	-	-
10	157B8030	157B8081	157B8082	-	-	-	-	-
11	157B8081	157B8082	-	-	-	-	-	-
12	157B8082	-	-	-	-	-	-	-

Technical Information PVG 16 Proportional Valve Group
PVAS
PVG 32/PVG 16 configuration, PVAS mid-inlet (continued)

No. of PVB 32 modules	No. of PVB 16 modules						
	8	9	10	11	12	13	14
0	157B8027	157B8008	157B8009	157B8010	157B8030	157B8081	157B8082
1	157B8028	157B8009	157B8010	157B8061	157B8081	157B8082	-
2	157B8029	157B8010	157B8061	157B8062	157B8082	-	-
3	157B8030	157B8061	157B8062	-	-	-	-
4	157B8081	157B8062	-	-	-	-	-
5	157B8082	-	-	-	-	-	-

PVG 32/PVG 16 configuration, PVAS PVSK

No. of PVB 32 modules	No. of PVB 16 modules							
	0	1	2	3	4	5	6	7
0	157B8031	157B8021	157B8022	157B8003	157B8004	157B8005	157B8025	157B8026
1	157B8021	157B8022	157B8023	157B8004	157B8005	157B8006	157B8026	157B8027
2	157B8022	157B8023	157B8024	157B8005	157B8006	157B8007	157B8027	157B8028
3	157B8023	157B8024	157B8025	157B8006	157B8007	157B8008	157B8028	157B8029
4	157B8024	157B8025	157B8026	157B8007	157B8008	157B8009	157B8029	157B8030
5	157B8025	157B8026	157B8027	157B8008	157B8009	157B8010	157B8030	157B8081
6	157B8026	157B8027	157B8028	157B8009	157B8010	157B8061	157B8081	157B8082
7	157B8027	157B8028	157B8029	157B8010	157B8061	157B8062	157B8082	-
8	157B8028	157B8029	157B8030	157B8061	157B8062	-	-	-
9	157B8029	157B8030	157B8081	157B8062	-	-	-	-
10	157B8030	157B8081	157B8082	-	-	-	-	-
11	157B8081	157B8082	-	-	-	-	-	-
12	157B8082	-	-	-	-	-	-	-

PVG32/16 PVAS PVSK configuration (continued)

No. of PVB 32 modules	No. of PVB 16 modules						
	8	9	10	11	12	13	14
0	157B8027	157B8008	157B8009	157B8010	157B8030	157B8081	157B8082
1	157B8028	157B8009	157B8010	157B8061	157B8081	157B8082	-
2	157B8029	157B8010	157B8061	157B8062	157B8082	-	-
3	157B8030	157B8061	157B8062	-	-	-	-
4	157B8081	157B8062	-	-	-	-	-
5	157B8082	-	-	-	-	-	-

PVG100/16 or PVG120/16 configuration

No. of PVB 32 modules	No. of PVB 16 modules								
	0	1	2	3	4	5	6	7	8
0	-	157B8000	157B8001	157B8021	157B8022	157B8023	157B8004	157B8005	157B8006

Technical Information PVG 16 Proportional Valve Group
PVAS
PVG100/16 or PVG120/16 configuration (continued)

No of PVB 32 modules	No of PVB 16 modules								
	0	1	2	3	4	5	6	7	8
1	157B8000	157B8001	157B8002	157B8022	157B8023	157B8024	157B8005	157B8006	157B8007
2	157B8001	157B8002	157B8003	157B8023	157B8024	157B8025	157B8006	157B8007	157B8008
3	157B8002	157B8003	157B8004	157B8024	157B8025	157B8026	157B8007	157B8008	157B8009
4	157B8003	157B8004	157B8005	157B8025	157B8026	157B8027	157B8008	157B8009	157B8010
5	157B8004	157B8005	157B8006	157B8026	157B8027	157B8028	157B8009	157B8010	157B8061
6	157B8005	157B8006	157B8007	157B8027	157B8028	157B8029	157B8010	157B8061	157B8062
7	157B8006	157B8007	157B8008	157B8028	157B8029	157B8030	157B8061	157B8062	-
8	157B8007	157B8008	157B8009	157B8029	157B8030	157B8081	157B8062	-	-
9	157B8008	157B8009	157B8010	157B8030	157B8081	157B8082	-	-	-
10	157B8009	157B8010	157B8061	157B8081	157B8082	-	-	-	-
11	157B8010	157B8061	157B8062	157B8082	-	-	-	-	-
12	157B8061	157B8062	-	-	-	-	-	-	-

PVG100/16 or PVG120/16 configuration (continued)

No of PVB 100 modules	No of PVB 16 modules						
	9	10	11	12	13	14	15
0	157B8026	157B8027	157B8028	157B8009	157B8010	157B8061	157B8081
1	157B8027	157B8028	157B8029	157B8010	157B8061	157B8062	157B8082
2	157B8028	157B8029	157B8030	157B8061	157B8062	-	-
3	157B8029	157B8030	157B8081	157B8062	-	-	-
4	157B8030	157B8081	157B8082	-	-	-	-
5	157B8081	157B8082	-	-	-	-	-
6	157B8082	-	-	-	-	-	-